



450mm (18") wet concrete saw with 6500W high frequency permanent magnet synchronous motor for up to 175mm depth of cut. Flush cut capability.

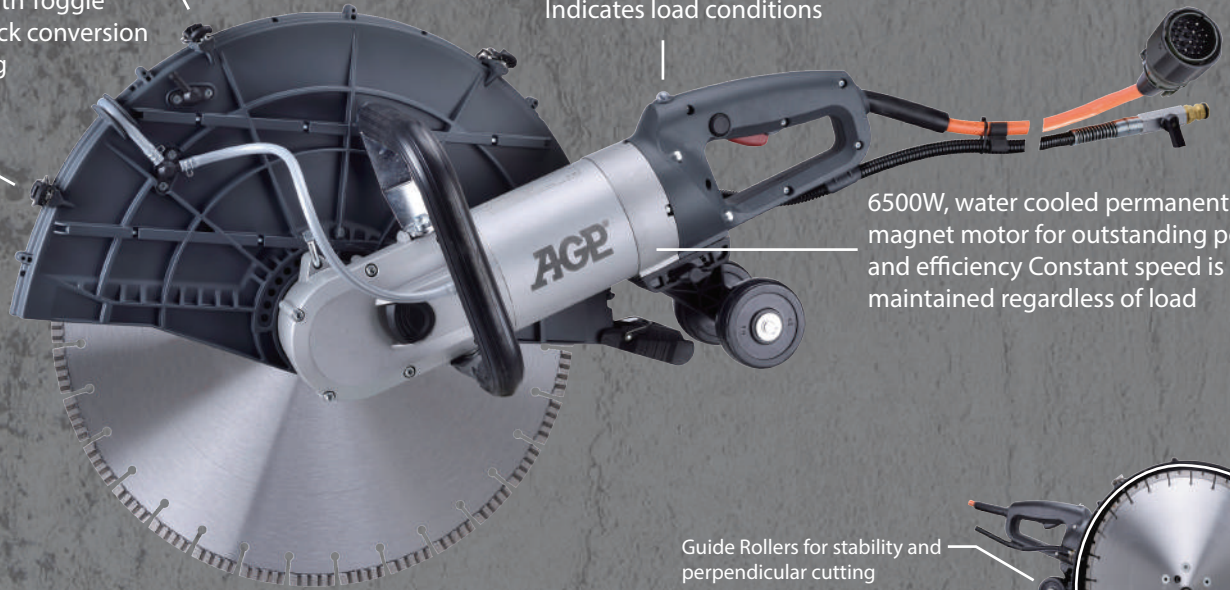
C18 | CONCRETE SAW

10203-018-006-4043-001-001

Blade Guard with Toggle Latches for quick conversion to Flush cutting

LED Indicator Indicates load conditions

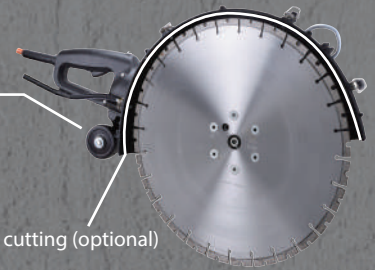
Special Motor Coupling Cable



6500W, water cooled permanent magnet motor for outstanding power and efficiency Constant speed is maintained regardless of load

Guide Rollers for stability and perpendicular cutting

Rim Brush for flush cutting (optional)



P8K | Power Converter

10700-000-010-0000-001-026

Converter Build-in PRCD has full electronic protection for over and under voltage, thermal and current overload supplies high frequency current to the tool



LCD Information Display shows voltage, elapsed hours, error codes, etc.

3 phase power supply cable



Adaptor for single phase supply included

Water cooled 8000W power converter with special circuitry which allows it to accept **3 phase 380V**, **3 phase 230V** and **single phase 230V** supply at the maximum possible power level

MODEL

P8K (Power Converter)

Power: Input (Maximum)	
$3\phi \sim 380-480V : 16A$	8000W
$3\phi \sim 220-240V : 25A$	7000W
$1\phi \sim 200-240V : 32A$	7000W
Min. Water Flow (25°C)	3,5 L/min (1 gpm)
Max. Water Pressure	7 bar (100 psi)
Dimensions (L x W x H)	460 x 220 x 260 mm
Weight	7,3kg (16,06 Lbs)

MODEL

C18 (Concrete Saw)

Power	
$3\phi \sim 380-480V$	6500W
$3\phi \sim 220-240V$	5500W (25A), 3500W (16A)
$1\phi \sim 200-240V$	5500W (32A), 3500W (16A)
*No Load RPM	2500/min
Linear Speed w/18" blade	59,8m/s
Blade Diameter	457mm (18")
Arbor	25,4mm (1")
Max. Cutting Depth	175mm (6-7/8")
Dimensions (L x W x H)	810 x 260 x 310 mm
Weight	11,6kg (25,5 Lbs)

DEALER